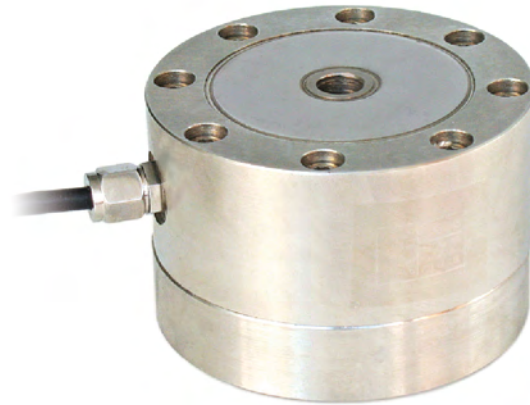




Manufactured according to OIML R60 standards

Capacity from 10000 kg to 20000 kg



- SPECIAL STEEL
- BIDIRECTIONAL TENSION AND COMPRESSION
- COMBINED ERROR $\leq \pm 0.1\%$
- PROTECTION CLASS IP67

CAPACITY	kg	NET WEIGHT (kg)	CODE
10000		10.5	CLK10000
20000		11	CLK20000

CERTIFICATIONS

EAC Complies with the Eurasian Customs Union standards

UK CA Equivalent of the CE marking for the United Kingdom

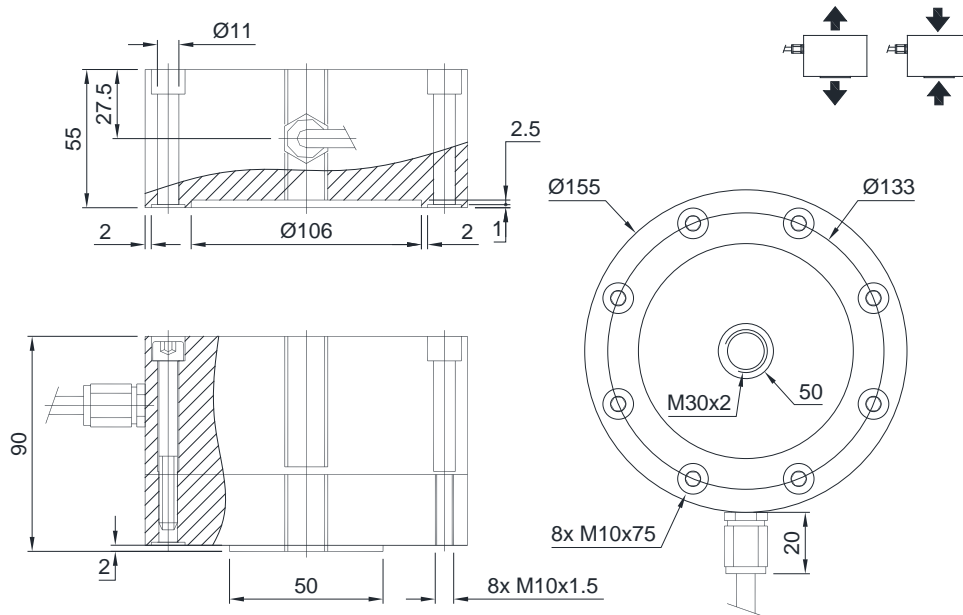
CERTIFICATIONS ON REQUEST

Ex ATEX II 1GD (zone 0-1-2-20-21-22) (**CE - UK CA**)

IECEx IECEx (zone 0-1-2-20-21-22)

EAC Ex Complies with the Eurasian Customs Union standards for use in potentially explosive atmospheres

DIMENSIONS (mm)

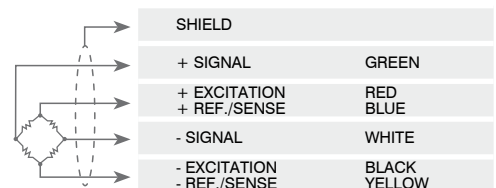


TECHNICAL FEATURES

Material	Special steel		
Nominal load (E max)	10000 - 20000 kg		
Combined error	≤ ±0.1%		
Protection class	IP67		
Rated output	2 mV/V ±0.3%	Input resistance	352 Ω ±3
Temperature effect on zero	0.002% °C	Output resistance	400 Ω ±20
Temperature effect on span	0.002% °C	Zero balance	±1%
Compensated temperature range	-10 °C / +50 °C	Insulation resistance	>5000 MΩ
Operating temperature range	-30 °C / +70 °C	Safe overload (% of full scale)	150%
Creep at nominal load in 30 minutes	0.03%	Ultimate overload (% of full scale)	200%
Max supply voltage without damage	15 V	Deflection at nominal load	0.3 mm

ELECTRICAL CONNECTIONS

Cable length	12 m
Cable diameter	6 mm
Cores	6 x 0.24 mm ²



The Company reserves the right to make changes to the technical data, drawings and images without notice.