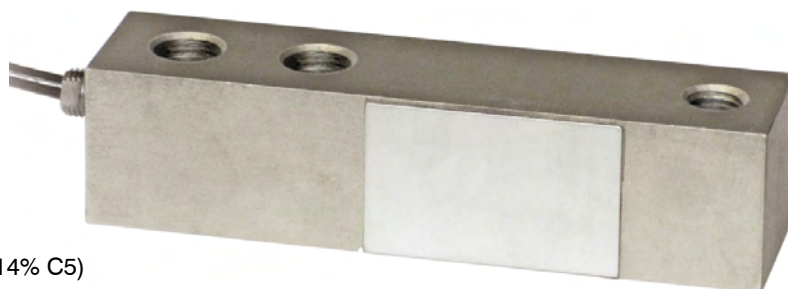


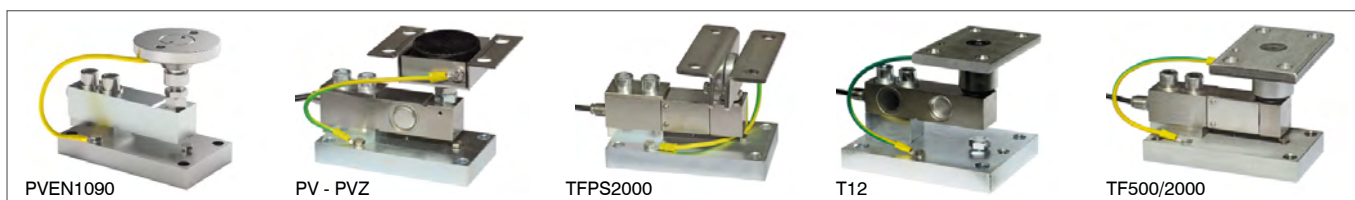


Capacity from 500 kg to 5000 kg



- AISI 4340 NICKEL PLATED STEEL
- COMBINED ERROR $\leq \pm 0.02\%$ (0.017% C4; 0.014% C5)
- PROTECTION CLASS IP67

MOUNTING KITS



CAPACITY	kg	ACCURACY CLASS					NET WEIGHT (kg)	CODE
		C3	C4	C5				
500		•	•	•	•	•	0.8	FTKL500
1000		•	•	•	•	•	0.8	FTKL1000
1500		•	•	•	•	•	0.9	FTKL1500
2000		•	•	•	•	•	0.9	FTKL2000
3000		•	•	•	•	•	1.7	FTKL3000
5000		•	•	•	•	•	1.7	FTKL5000

ON REQUEST

CERTIFICATIONS

- OIML R60 C3
- Complies with the Eurasian Customs Union standards
- Equivalent of the CE marking for the United Kingdom
- Complies with United Kingdom regulations for legal for trade use

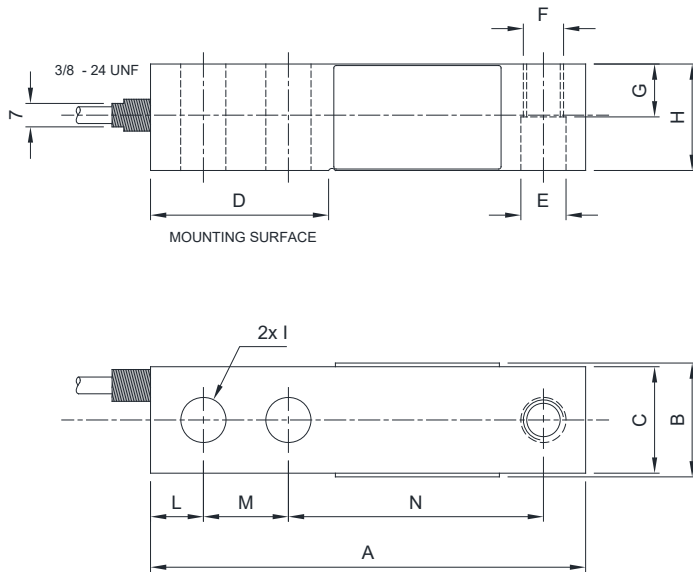
CERTIFICATIONS ON REQUEST

- ATEX II 1GD (zone 0-1-2-20-21-22) (CE - UK CA)
- IECEx (zone 0-1-2-20-21-22)
- OIML R60 C4/C5
- Complies with the Eurasian Customs Union standards for use in potentially explosive atmospheres
- NTEP - Complies with United States regulations for legal for trade use

COMPLEMENTARY ACCESSORIES

	DESCRIPTION	CODE
	Special steel block for capacities up to 2000 kg.	PIASTRINO

DIMENSIONS (mm)



	500 kg	1000 - 1500 2000 kg	3000 - 5000 kg
A	130	130	171.5
B	-	32.8	39.1
C	31.8	31.8	38.1
D	53.2	53.2	76.2
E	Ø13.5	Ø13.5	Ø19.8
F	M12x1.75	M12x1.75	M18x1.5
G	16	16	19.3
H	31.8	31.8	38.1
I	Ø13.5	Ø13.5	Ø19.8
L	15.8	15.8	19.1
M	25.4	25.4	38.1
N	76.2	76.2	95.3

For the load cell fixing screws, provide the tightening torque indicated in the table

Screw	M12		M18	
Screw class	6.8	8.8	6.8	8.8
Tightening torque	50 Nm	79 Nm	205 Nm	280 Nm

TECHNICAL FEATURES

Material	AISI 4340 nickel plated steel			
OIML R60 Accuracy class • Verification intervals	C3 • 3000		C4 • 4000	
Nominal load (E max)	500 - 1000 - 1500 kg 2000 - 3000 - 5000 kg		500 - 1000 kg 1500 - 2000 kg	3000 - 5000 kg
Minimum verification interval (V min)	E max / 10000	E max / 15000	E max / 20000	E max / 18000
Combined error	≤ ±0.02%	≤ ±0.017%	≤ ±0.014%	
Protection class	IP67			
Rated output	3 mV/V ±0.1%	Input resistance	350 Ω ±3.5	
Temperature effect on zero	0.0018% °C	Output resistance	350 Ω ±3.5	
Temperature effect on span	0.0014% °C	Zero balance	≤ ±1%	
Compensated temperature range	-10 °C / +40 °C	Insulation resistance	≥5000 MΩ	
Operating temperature range	-35 °C / +65 °C	Safe overload (% of full scale)	150%	
Creep at nominal load in 30 minutes	0.02%	Ultimate overload (% of full scale)	300%	
Max supply voltage without damage	18 V	Deflection at nominal load	0.4 mm	

ELECTRICAL CONNECTIONS

Cable length	4 m (500-2000 kg); 6 m (3000-5000 kg)
Cable diameter	5 mm
Cores	4 x 0.22 mm ²

