

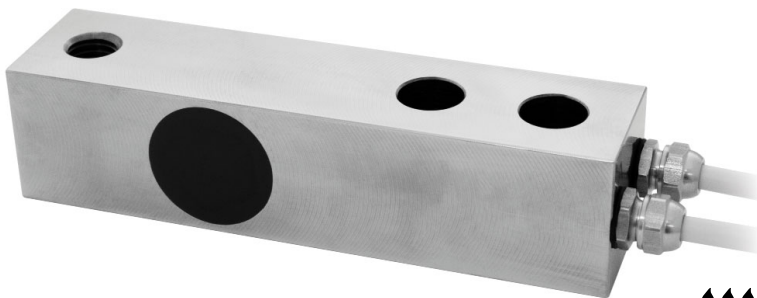


capacity 6000 kg




IP68

capacity 1000 kg




IP67

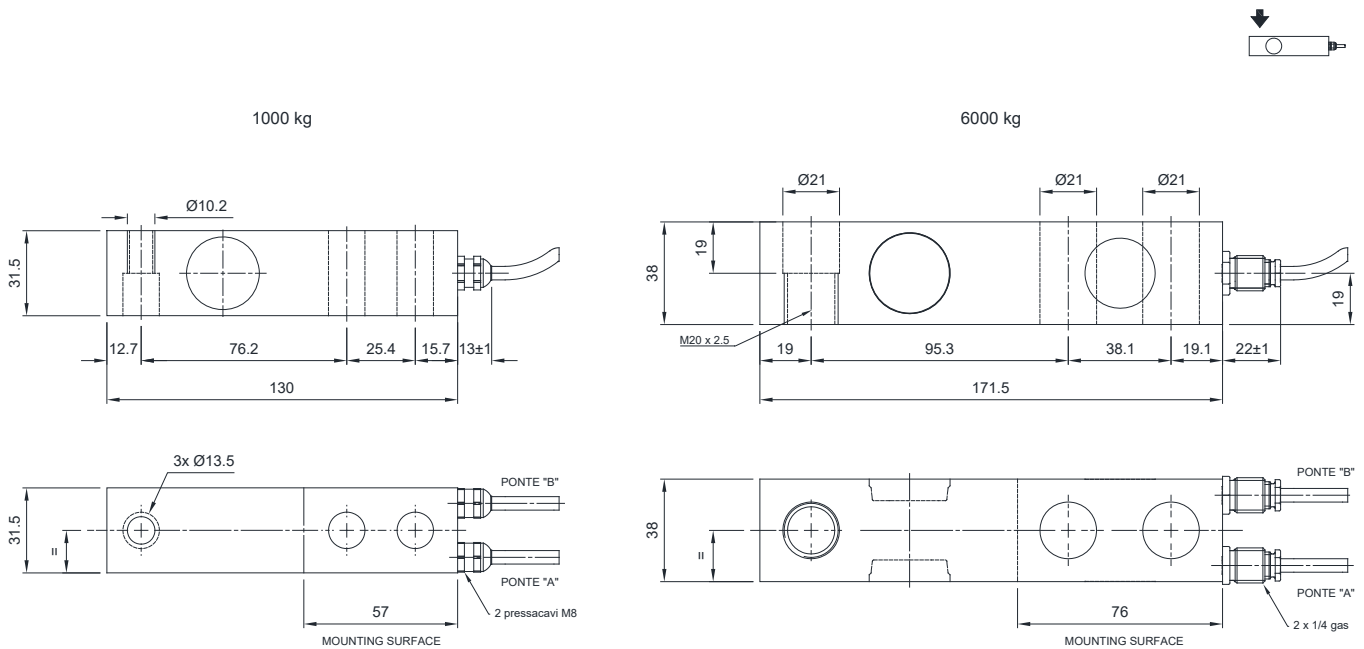
- 17-4 PH STAINLESS STEEL
- COMBINED ERROR $\leq \pm 0.03\%$
- PROTECTION CLASS IP67 - IP68
- TWO OUTPUT CABLES FOR DUAL SAFETY SYSTEMS

CAPACITY	kg	NET WEIGHT (kg)	CODE
	1000	0.93	FTP1000DOP
	6000	1.54	FTP6000DOP

CERTIFICATIONS

- EAC** Complies with the Eurasian Customs Union standards
- UKCA** Equivalent of the CE marking for the United Kingdom

DIMENSIONS (mm)

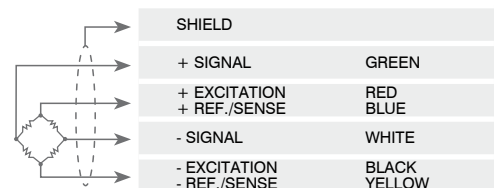


TECHNICAL FEATURES

Material	17-4 PH stainless steel		
Nominal load (E max)	1000 - 6000 kg		
Combined error	≤ ±0.03%		
Protection class	IP67 (1000 kg) - IP68 (6000 kg)		
Rated output	2 mV/V ±0.1%	Input resistance	370 Ω ±10
Temperature effect on zero	0.005% °C	Output resistance	355 Ω ±5
Temperature effect on span	0.005% °C	Zero balance	±2%
Compensated temperature range	-10 °C / +50 °C	Insulation resistance	>5000 MΩ
Operating temperature range	-20 °C / +70 °C	Safe overload (% of full scale)	150%
Creep at nominal load in 30 minutes	0.02%	Ultimate overload (% of full scale)	300%
Max supply voltage without damage	15 V	Deflection at nominal load	0.25 mm

ELECTRICAL CONNECTIONS

Cable length	5 m+5 m (1000 kg); 10 m+10 m (6000 kg)
Cable diameter	5 mm
Cores	6 x 0.25 mm ²



The Company reserves the right to make changes to the technical data, drawings and images without notice.