



Manufactured according to OIML R60 standards

Capacity from 5000 kg to 10000 kg



- SPECIAL STEEL
- COMBINED ERROR  $\leq \pm 0.1\%$
- PROTECTION CLASS IP68

CAPACITY	kg	NET WEIGHT (kg)	CODE
5000		15.5	FTH5000
10000		16.2	FTH10000

### CERTIFICATIONS

**EAC** Complies with the Eurasian Customs Union standards

**UKCA** Equivalent of the CE marking for the United Kingdom

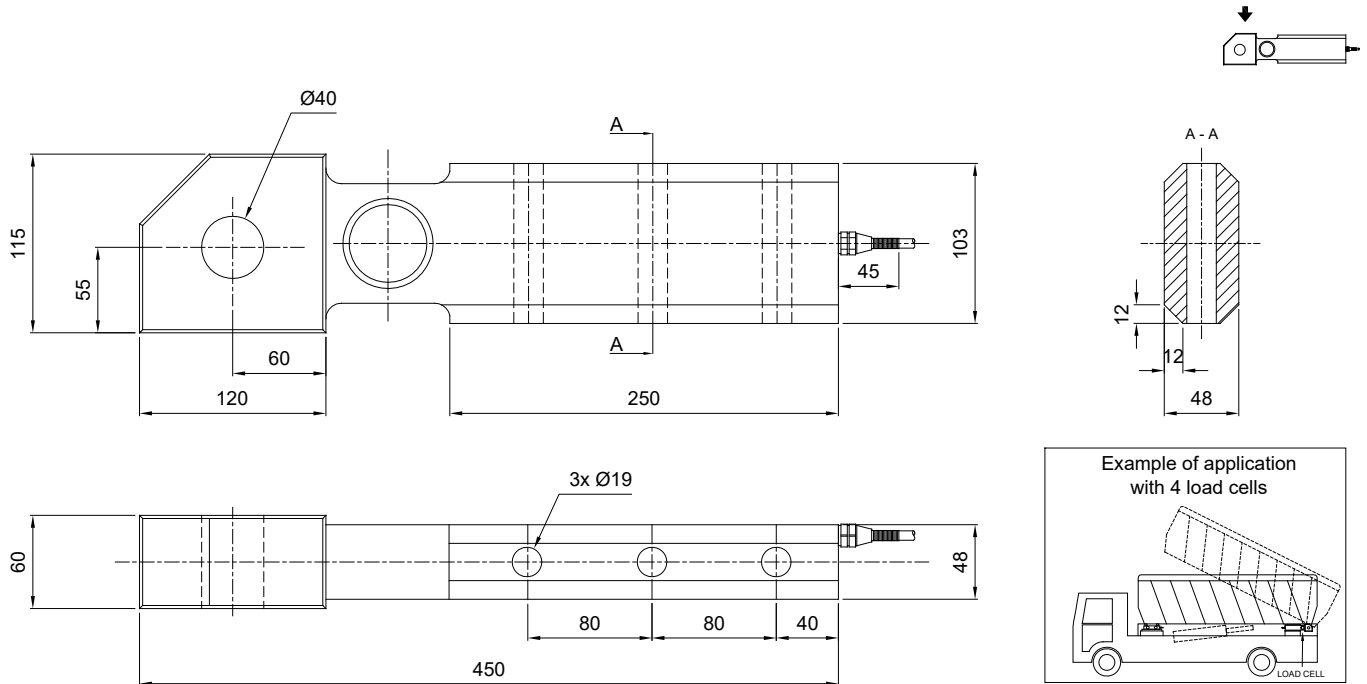
#### CERTIFICATIONS ON REQUEST

**Ex** ATEX II 1GD (zone 0-1-2-20-21-22) (CE - UKCA)

**IECEx** (zone 0-1-2-20-21-22)

**EAC Ex** Complies with the Eurasian Customs Union standards for use in potentially explosive atmospheres

### DIMENSIONS (mm)

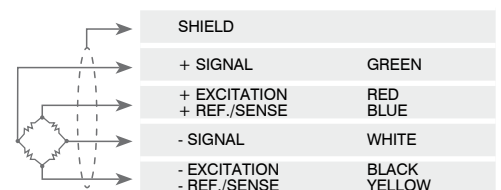


### TECHNICAL FEATURES

Material	Special steel		
Nominal load (E max)	5000 - 10000 kg		
Combined error	≤ ±0.1%		
Protection class	IP68		
Rated output	1 mV/V ±0.5%	Input resistance	400 Ω ±20
Temperature effect on zero	0.005% °C	Output resistance	352 Ω ±3
Temperature effect on span	0.005% °C	Zero balance	±2%
Compensated temperature range	-10 °C / +40 °C	Insulation resistance	>5000 MΩ
Operating temperature range	-30 °C / +70 °C	Safe overload (% of full scale)	150%
Creep at nominal load in 30 minutes	0.1%	Ultimate overload (% of full scale)	300%
Max supply voltage without damage	15 V	Deflection at nominal load	0.4 mm

### ELECTRICAL CONNECTIONS

Cable length	10 m
Cable diameter	6 mm
Cores	6 x 0.24 mm <sup>2</sup>



The Company reserves the right to make changes to the technical data, drawings and images without notice.