



Capacity from 3 kg to 50 kg



- ALUMINUM ALLOY
- COMBINED ERROR $\leq \pm 0.02\%$ (0.017% C4; 0.014% C5)
- PROTECTION CLASS IP65

CAPACITY	kg	ACCURACY CLASS					PLATFORM (mm)	NET WEIGHT (kg)	CODE
		C3	C4	C5					
3		•	•	•	•	•	250 x 350	0.2	ALL3
5		•	•	•	•	•	250 x 350	0.2	ALL5
10		•	•	•	•	•	250 x 350	0.2	ALL10
15		•	•	•	•	•	250 x 350	0.2	ALL15
20		•	•	•	•	•	250 x 350	0.2	ALL20
30		•	•	•	•	•	250 x 350	0.2	ALL30
50		•	•	•	•	•	250 x 350	0.2	ALL50

ON REQUEST

CERTIFICATIONS



OIML R60 C3



Complies with the Eurasian Customs Union standards



Equivalent of the CE marking for the United Kingdom



Complies with United Kingdom regulations for legal for trade use

CERTIFICATIONS ON REQUEST



ATEX II 1GD (zone 0-1-2-20-21-22) (CE - UK CA)



IECEX (zone 0-1-2-20-21-22)



OIML R60 C4/C5



Complies with the Eurasian Customs Union standards for use in potentially explosive atmospheres



NTEP - Complies with United States regulations for legal for trade use

COMPLEMENTARY ACCESSORIES



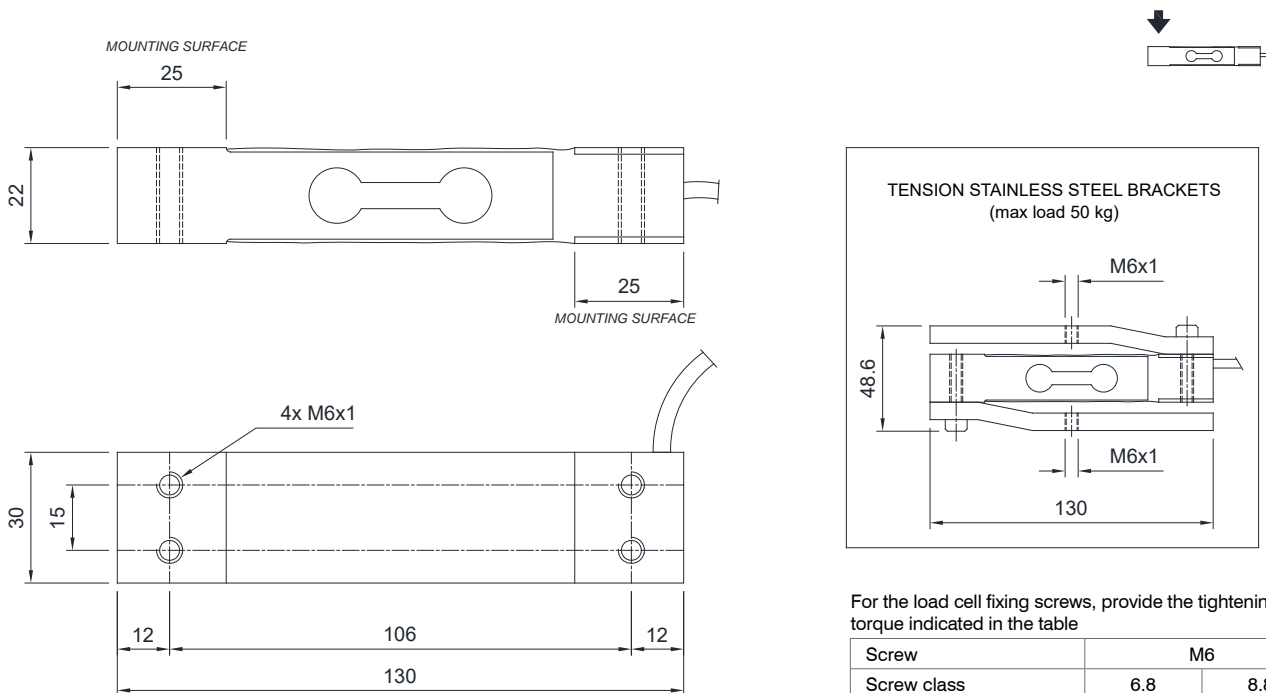
DESCRIPTION

Pair of stainless steel tension brackets.
Maximum static load: 50 kg.

CODE

STAFFEALL

DIMENSIONS (mm)



For the load cell fixing screws, provide the tightening torque indicated in the table

Screw	M6	
	6.8	8.8
Tightening torque	7.5 Nm	10 Nm

TECHNICAL FEATURES

Material	Aluminum alloy		
	C3 • 3000	C4 • 4000	C5 • 5000
OIML R60 Accuracy class • Verification intervals	3 - 5 - 10 - 15 - 20 - 30 - 50 kg		
Nominal load (E max)	E max / 10000		
Minimum verification interval (V min)	E max / 15000	E max / 20000	
Combined error	≤ ±0.02%	≤ ±0.017%	≤ ±0.014%
Protection class	IP65		
Rated output	2 mV/V ±10%	Input resistance	409 Ω ±6
Temperature effect on zero	0.0017% °C	Output resistance	350 Ω ±3
Temperature effect on span	0.0014% °C	Zero balance	≤ ±2%
Compensated temperature range	-10 °C / +40 °C	Insulation resistance	≥5000 MΩ
Operating temperature range	-35 °C / +65 °C	Safe overload (% of full scale)	150%
Creep at nominal load in 30 minutes	0.015%	Ultimate overload (% of full scale)	300%
Max supply voltage without damage	18 V	Deflection at nominal load	0.5 mm

ELECTRICAL CONNECTIONS

Cable length	3 m
Cable diameter	3.8 mm
Cores	4 x 0.20 mm ²

