



Manufactured according to OIML R60 standards

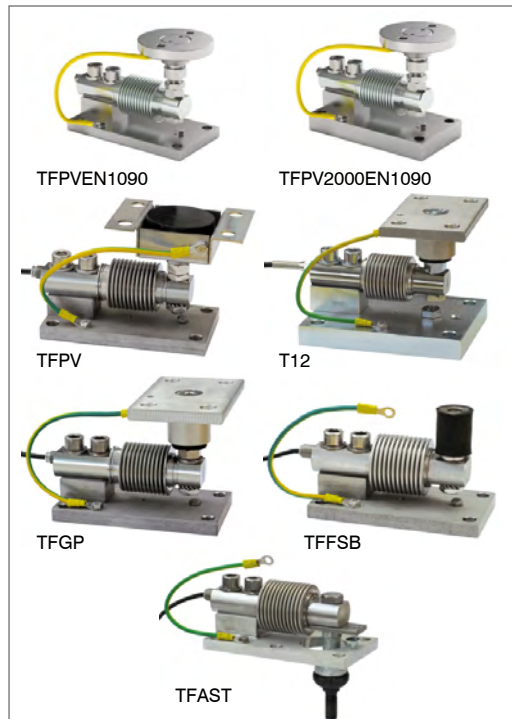
BENDING BEAM: capacity from 30 kg to 500 kg

SHEAR BEAM: capacity from 750 kg to 1500 kg

- AISI 420 STAINLESS STEEL
- COMBINED ERROR $\leq \pm 0.02\%$
- PROTECTION CLASS IP68



MOUNTING KITS



CAPACITY	kg	NET WEIGHT (kg)	CODE
	30	0.6	FCAX30
	50	0.6	FCAX50
	75	0.6	FCAX75
	150	0.6	FCAX150
	300	0.7	FCAX300
	500	0.7	FCAX500
	750	0.7	FCAX750
	1000	0.7	FCAX1000
	1500	0.7	FCAX1500

CERTIFICATIONS



Complies with the Eurasian Customs Union standards



Equivalent of the CE marking for the United Kingdom

CERTIFICATIONS ON REQUEST



ATEX II 1GD (zone 0-1-2-20-21-22) (CE - UK CA)

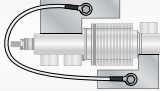


IECEX (zone 0-1-2-20-21-22)

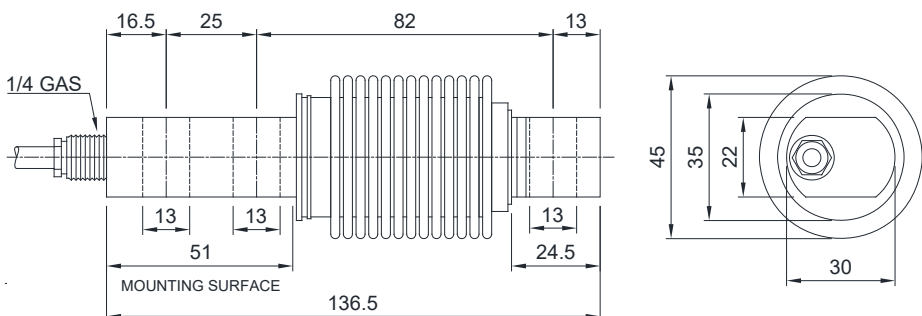


Complies with the Eurasian Customs Union standards for use in potentially explosive atmospheres

COMPLEMENTARY ACCESSORIES

	DESCRIPTION	CODE
	Pair of tension stainless steel brackets. Maximum static load: 300 kg	STAFFEFCAMONT

DIMENSIONS (mm)

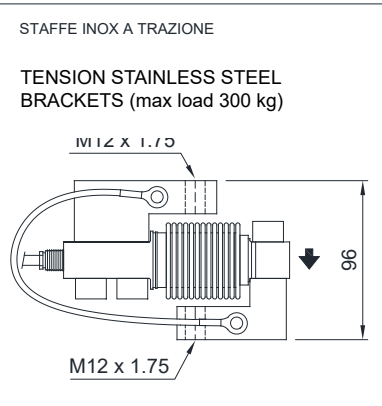


For the load cell fixing screws, provide the tightening torque indicated in the table

Screw	M12	
	6.8	8.8
Tightening torque	50 Nm	79 Nm

STAFFE INOX A TRAZIONE

TENSION STAINLESS STEEL BRACKETS (max load 300 kg)



M12 x 1.75

M12 x 1.75

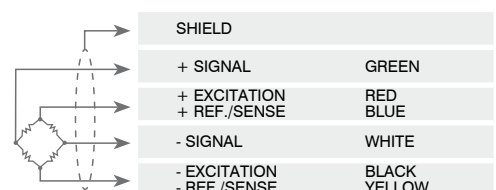
96

TECHNICAL FEATURES

Material	AISI 420 stainless steel		
Nominal load (E max)	30 - 50 - 75 - 150 - 300 - 500 - 750 - 1000 - 1500 kg		
Combined error	≤ ±0.02%		
Protection class	IP68		
Rated output	2 mV/V ±0.4%	Input resistance	385 Ω ±5
Temperature effect on zero	0.002% °C	Output resistance	350 Ω ±5
Temperature effect on span	0.002% °C	Zero balance	±1%
Compensated temperature range	-10 °C / +40 °C	Insulation resistance	>5000 MΩ
Operating temperature range	-20 °C / +50 °C	Safe overload (% of full scale)	150%
Creep at nominal load in 30 minutes	0.02%	Ultimate overload (% of full scale)	300%
Max supply voltage without damage	15 V	Deflection at nominal load	0.4 mm

ELECTRICAL CONNECTIONS

Cable length	5 m
Cable diameter	5 mm
Cores	6 x 0.22 mm ²



The Company reserves the right to make changes to the technical data, drawings and images without notice.